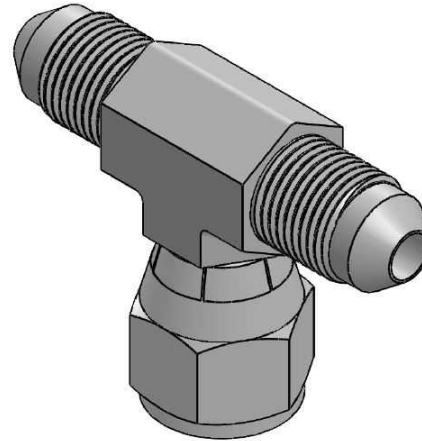
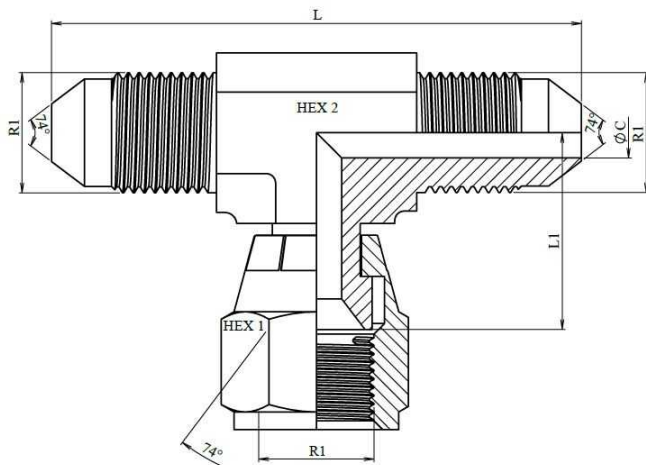


Swivel brunch tee male JIC 37°-swivel female JIC 37°-male JIC 37°

Mild Steel



Part n°	ØD1	ØD2	R1	L	L1	HEX 1	HEX 2	ØC
S68506	6	1/4	7/16" 20h UNF	45	16,7	14	12	4,4
S68508	8	5/16	1/2" 20h UNF	48	17,4	17	14	6
S68510	10	3/8	9/16" 18h UNF	54	22,8	19	14	6
S68512	12	1/2	3/4" 16h UNF	64	25	24	19	9,5
S68516	14-15-16	5/8	7/8" 14h UNF	74	28,4	27	22	12,3
S68520	18-20	3/4	1"1/16 12h UNF	84	33	32	27	15,5
S68525	25	1	1"5/16 12h UNF	96	39	41	36	21,5
S68532	30-32	1 1/4	1"5/8 12h UNF	105	47	50	46	27,5
S68538	38	1 1/2	1"7/8 12h UNF	118	49,5	55	50	33,5

The material can be provided with imperial hexagons